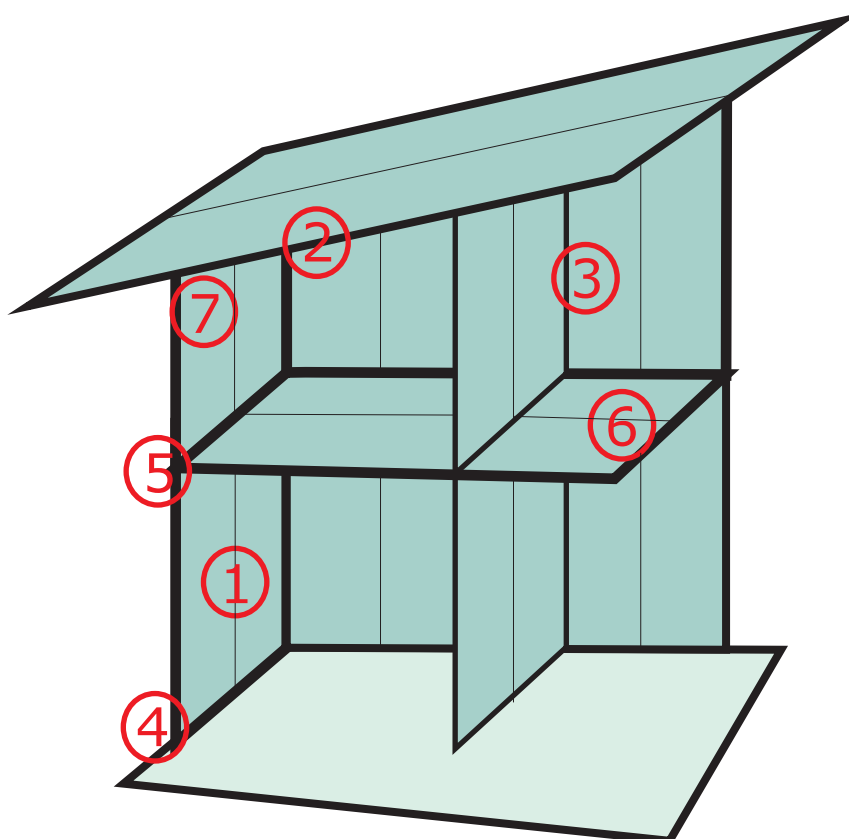
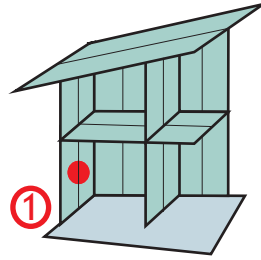


BBS details



BBS details



wall|wall

standard

variant

constructive

3-ply panel

electric-installation

connection

building physics

OUTSIDE

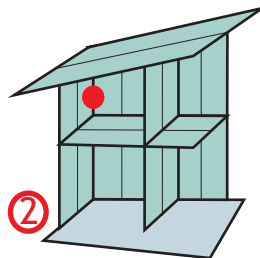
Trelleborg B 8

INSIDE

adhesive tape



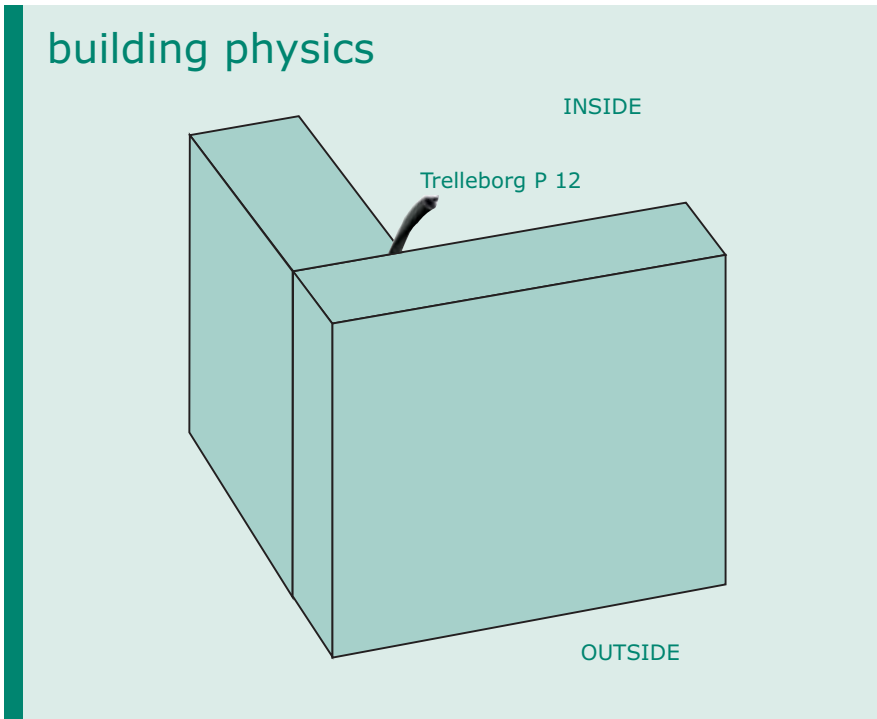
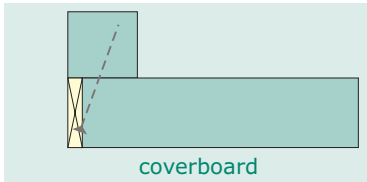
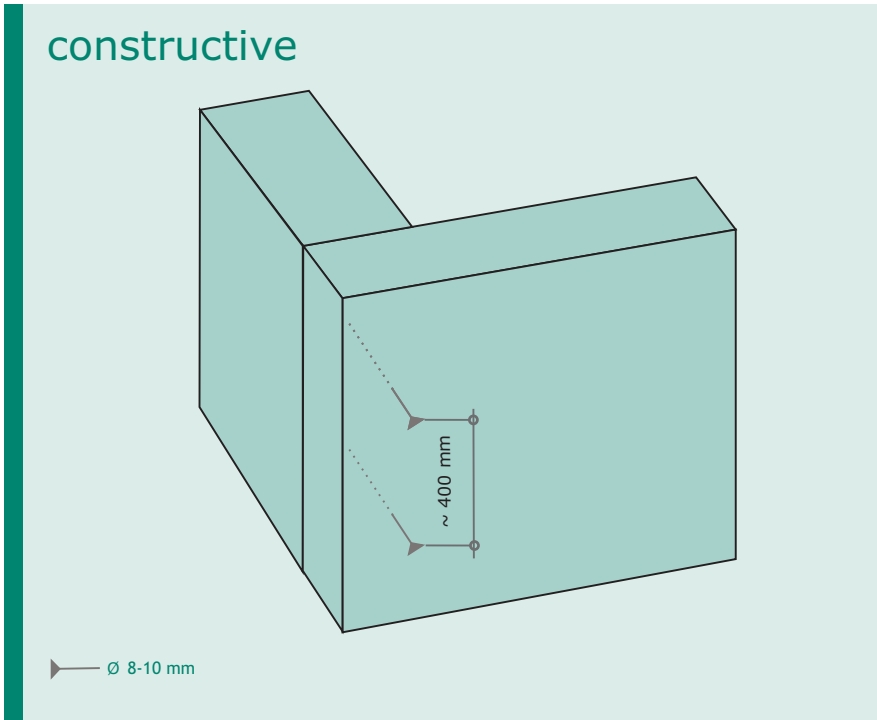
BBS details



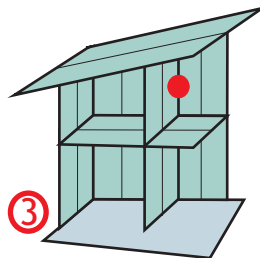
wall|wall

standard

variant



BBS details



wall|wall

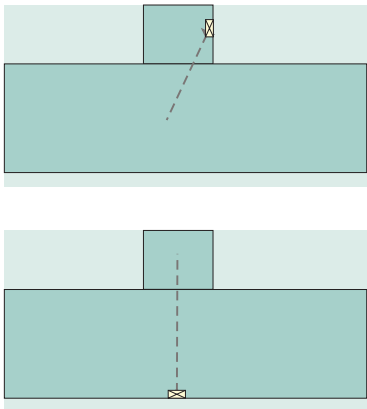
standard

variant

constructive

~ 400 mm

Ø 8-10 mm

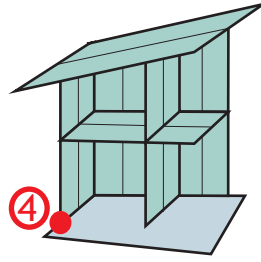


building physics

Trelleborg P 12



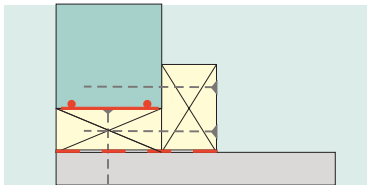
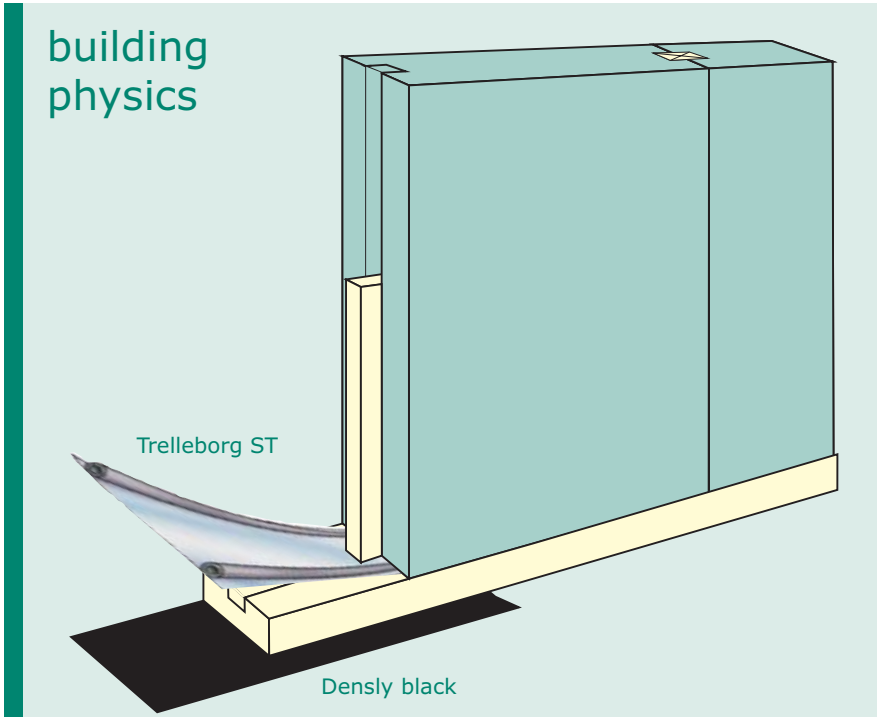
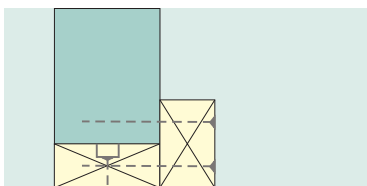
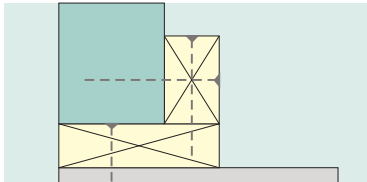
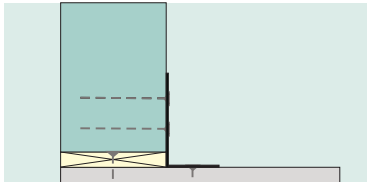
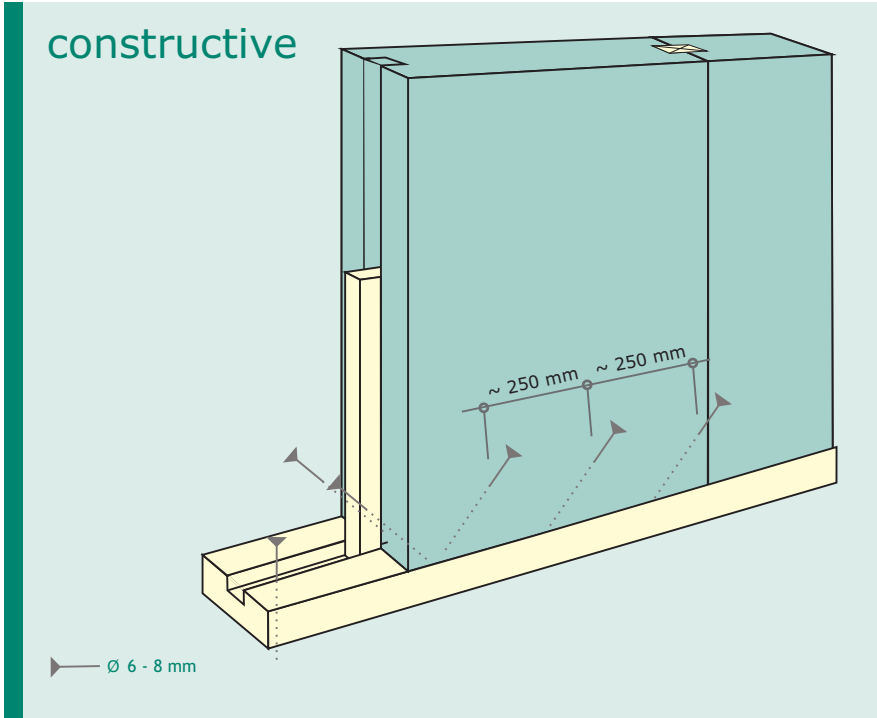
BBS details



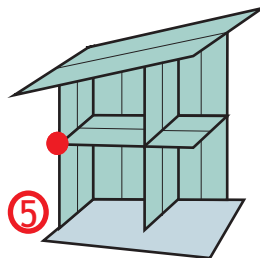
base|wall

standard

variant



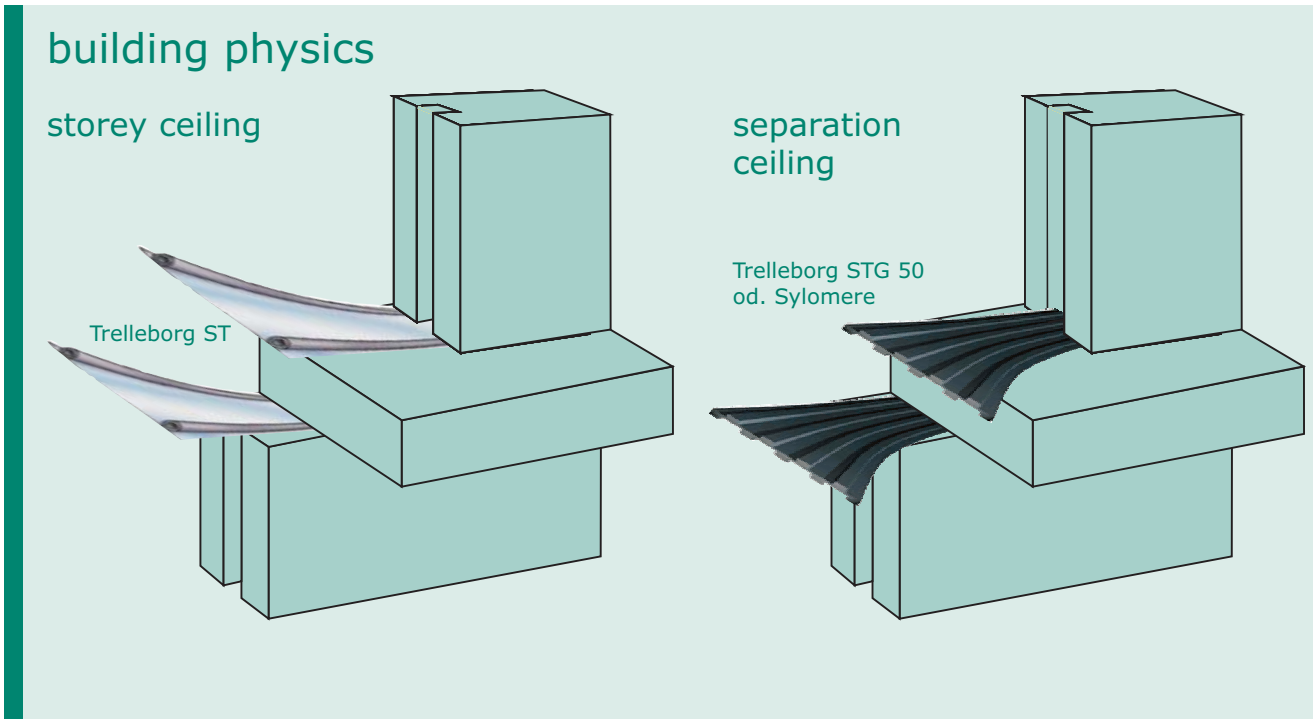
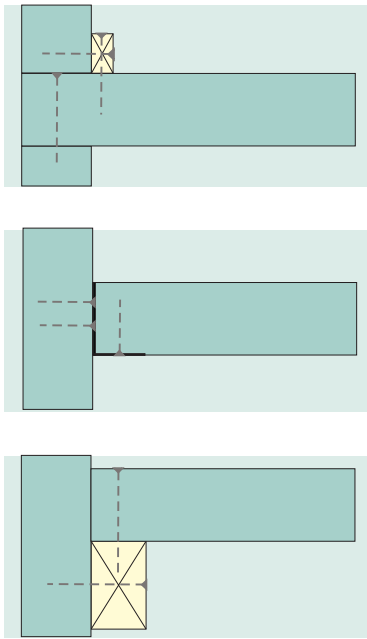
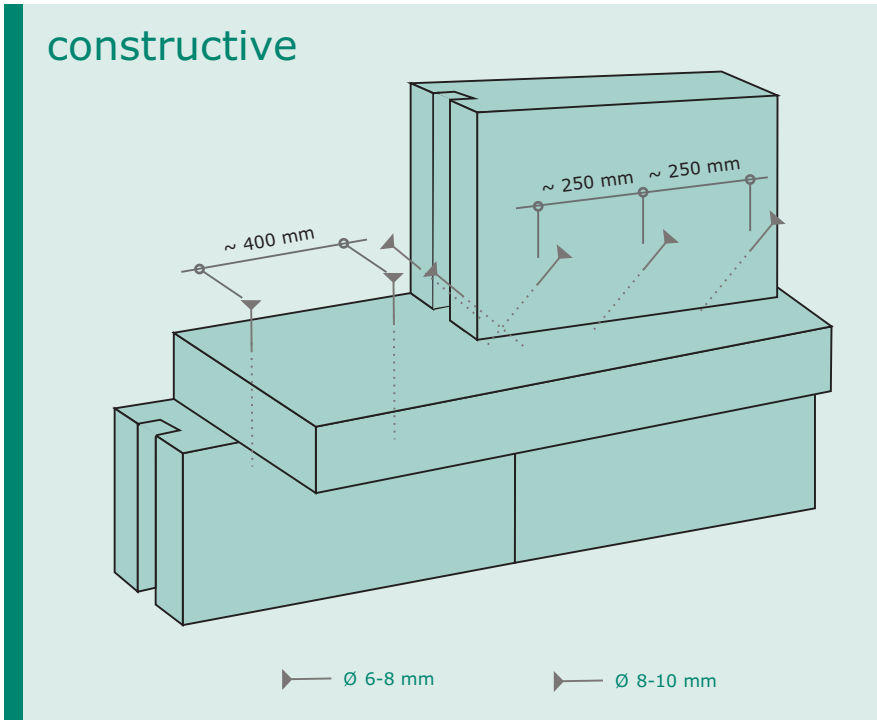
BBS details



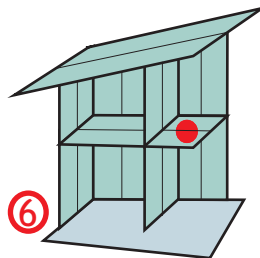
ceiling|wall

standard

variant



BBS details



ceiling|ceiling

standard

variant

constructive

3-ply panel

27
110

~ 250 mm ~ 250 mm

56 28

Ø 6-8 mm

27
110
28
56

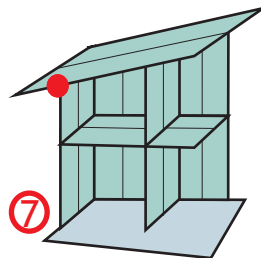
electrical-installation

building physics

Densly roof



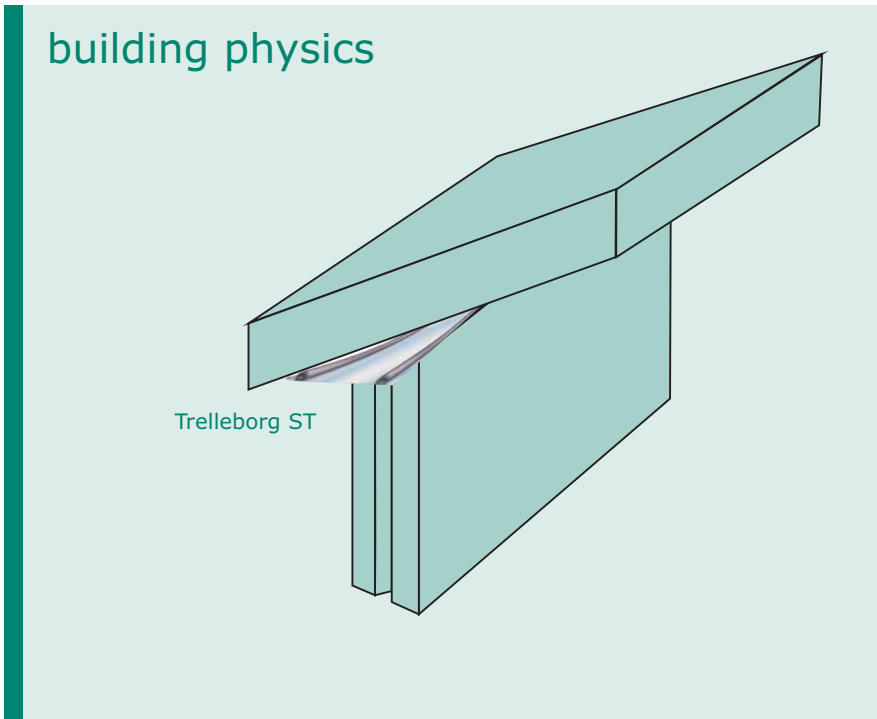
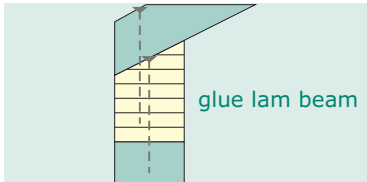
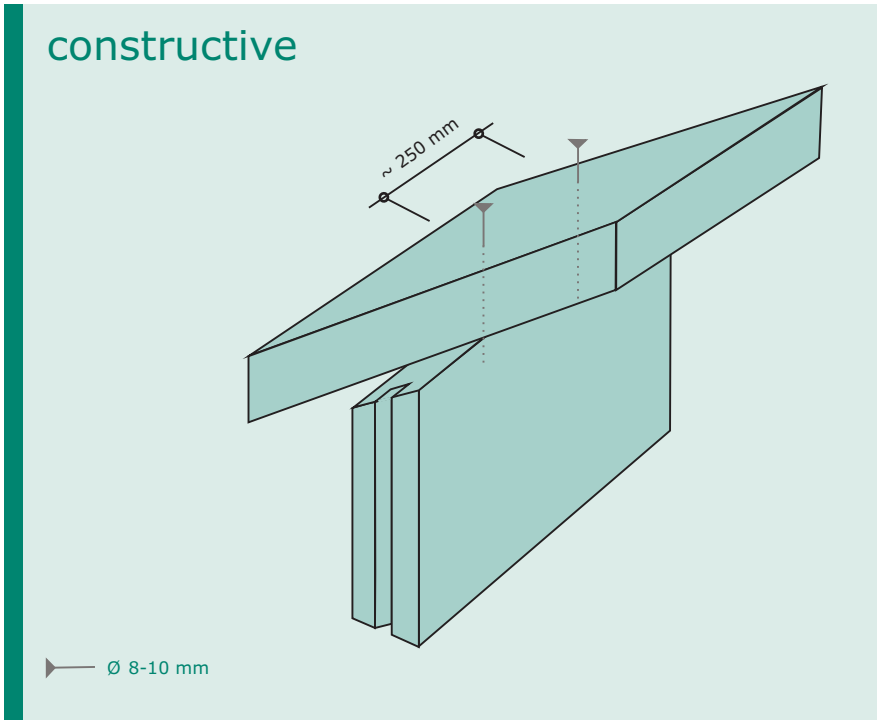
BBS details



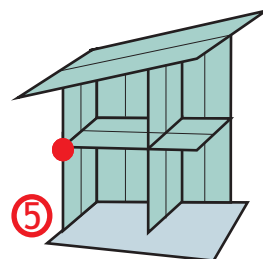
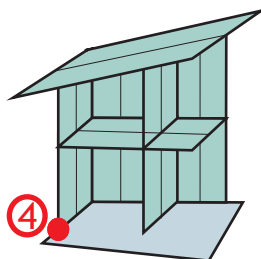
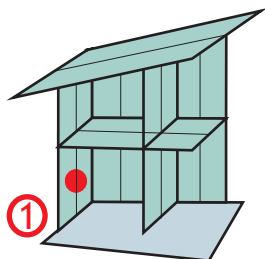
roof

standard

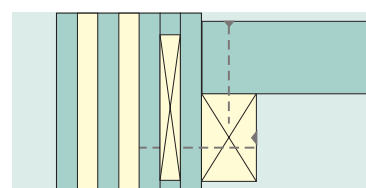
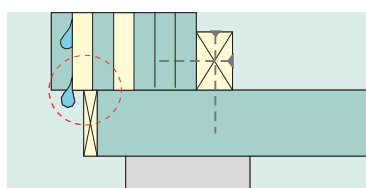
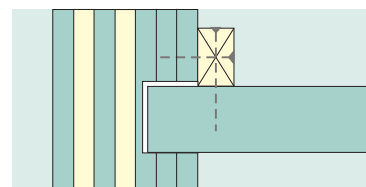
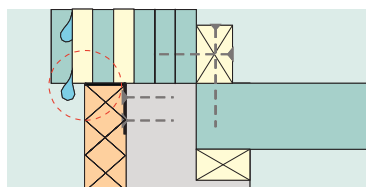
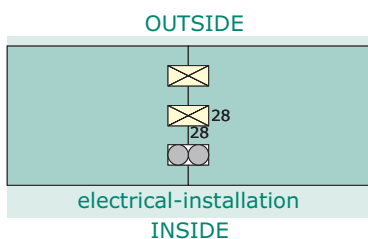
variant



BBS thermo details



constructive



building physics

