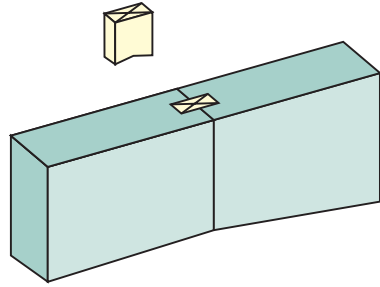


BBS constructions



wall



BBS one storey high



BBS more storeys high



prefabricated BBS-wall with electrical installations, damping and facade



horizontal BBS

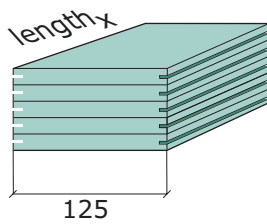


BBS constructions

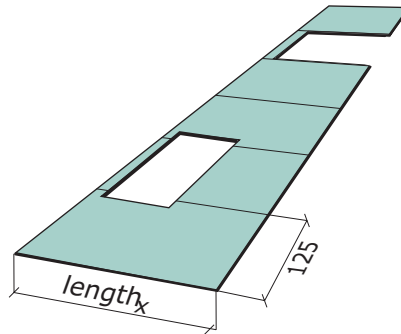


wall prefabricated | in factory

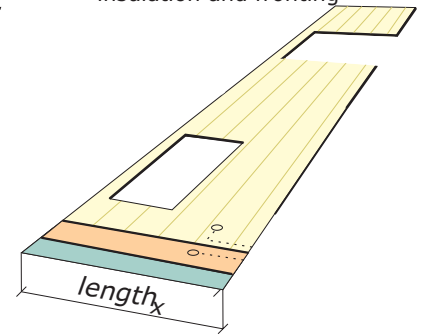
BBS wall panel
length_x = wall height



optimized profiling
of BBS wall panels



complete prefabrication of the wall,
incl. electrical installation,
insulation and fronting



- BBS
- insulation
- fronting

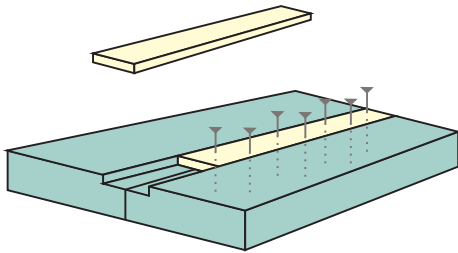


added value thanks to:

- optimized profiling
- maximum seasonal benefits
- independence of weather conditions
- reduced investment costs



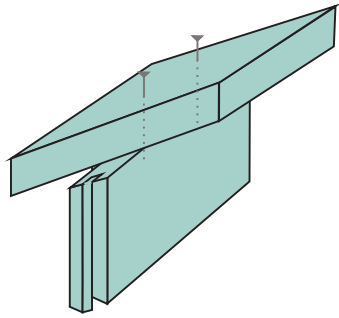
ceiling



BBS constructions



roof



advantages

general	<ul style="list-style-type: none"> ● space gains space gained, thanks to the reduced construction thickness in eco-friendly and passive homes ● visual quality pine, larch, Douglas pine, white spruce, stone pine, smoothed, sanded, planed ● reduced construction times fast, dry assembly available immediately ● solid construction sound insulation, REI 30-90 fire protection, load-bearing mass with accumulator effect, resistant to all weathers ● joint-free surface outer layer - single-ply, joint-free panel with board-like appearance, no expansion joints between components ● comfortable living its surface temperature is almost the same as the atmospheric temperature
wall	<ul style="list-style-type: none"> ● prefabrication economical construction, thanks to the complete fabrication of the wall, including installation, insulation and fronting by a timber building company ● reinforcement effect panel effect, load-bearing, construction in transversal layers ● earthquake-resistant construction format construction of components by using screw connections between components, the dynamic vibratory movements are absorbed and offset
ceiling	<ul style="list-style-type: none"> ● dividing ceiling officially approved structures with high quality appearance ● protection effect load-bearing ceiling panel, with protection and reinforcement effect, construction in transversal layers ● stable ceiling component multi-layers cross glued warping and bulging = insignificant fitting without expansion joint component against component
roof	<ul style="list-style-type: none"> ● quickly resistant to all weathers due to short assembly ● reduced influence of temperature excellent protection and insulating properties protect the rooms from overheating in summer